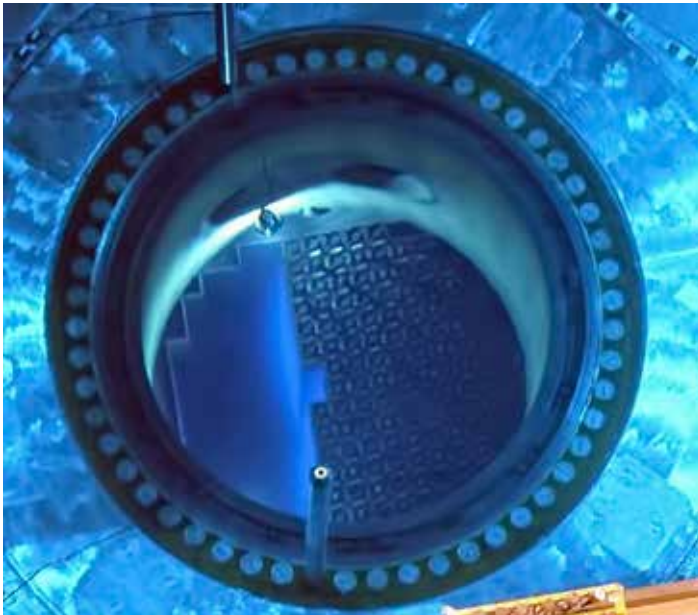


BIRNS Kelvin™

The BIRNS Kelvin™ is a powerful 16,000 lumen tungsten halogen floodlight that is trusted worldwide in major nuclear power stations. This proven system requires no costly radiation-sensitive electronics. It is seismically qualified per IEEE-344, and with its rugged stainless steel housing and a Lexan polycarbonate protector, it enhances safety and performance in a range of demanding nuclear illumination applications.



High Performance . . . Under Pressure®

The BIRNS Kelvin™, BIRNS Model 5801, features a 120V/1,000W lamp with instant on/off and hot-restrike capability. It's specifically designed for underwater use in areas with high levels of radiation and nuclear contamination and includes a powerful underwater subsea-grade connector system designed for depths to 6km. The robust, innovative design allows easy hand gripping when removing the lamp's protective cover and its strategic design elements provide protection against in-use mechanical impact damage.

The versatile 16,000 lumen system has replaceable lamps, and can be relamped without tools in just 60 seconds. It is easily decontaminated and comes with a choice of wide, medium or narrow beam lamps. It mounts on a special pan-and-tilt yoke, hangs from a suspension assembly or secures (solo or dual) to a selection of mounting poles. The BIRNS Kelvin requires no heavy ballast to operate; is simple and cost-efficient. Its housing is free-flooding for high-efficiency water cooling, yet is compatible with all commercial grade Class A GFCIs (ground-fault circuit interrupters).

Features and Benefits

- Brilliant 16,000 lumen illumination, 3200K natural color
- 60-second tool-free relamping
- Choice of three beam angles
- Complete dimming capability (0-100%)
- Instant on/off and ballast-free operation
- Seismically qualified per IEEE-344
- Rugged, all stainless steel inside-containment construction
- Integral underwater connectors, designed for easy operation
- Option of stainless steel mounting yoke or suspension assembly



Applications

Thousands of BIRNS Kelvins are trusted in nuclear power plants worldwide, as they are ideal for long-term illumination of fuel pools and transfer canals and are extensively used in reactor cavity illumination during fuel movement or other large-scale activities. The system can be mounted for general-purpose area light use or suspended by its detachable cable.

Ordering Information Model 5801

The BIRNS Kelvin includes stainless steel housing, mounting yoke and hardware; Lexan lamp protector; and 1000W lamp in choice of beam angle.

Step 1: Select a beam angle.

Item	Description	Beam Angle
5801-NS	Narrow Spot	20° x 24°
5801-MB	Medium Beam	21° x 44°
5801-WF	Wide Flood	45° x 71°

Step 2: Select cable type (Aquaprene or Super Vu-tron®) and length.

Aquaprene	
Item	Length
CEF3S16-33	33 ft. (10m)
CEF3S16-50	50 ft. (15m)
CEF3S16-100	100 ft. (30m)
CEF3S16-150	150 ft. (45m)

Super Vu-tron®	
Item	Length
CEF3S16-SV-33	33 ft. (10m)
CEF3S16-SV-50	50 ft. (15m)
CEF3S16-SV-100	100 ft. (30m)
CEF3S16-SV-150	150 ft. (45m)

Step 3: Select optional mount.

Item	Description
44F-001	Suspension Assembly

Step 4: Select optional spares.

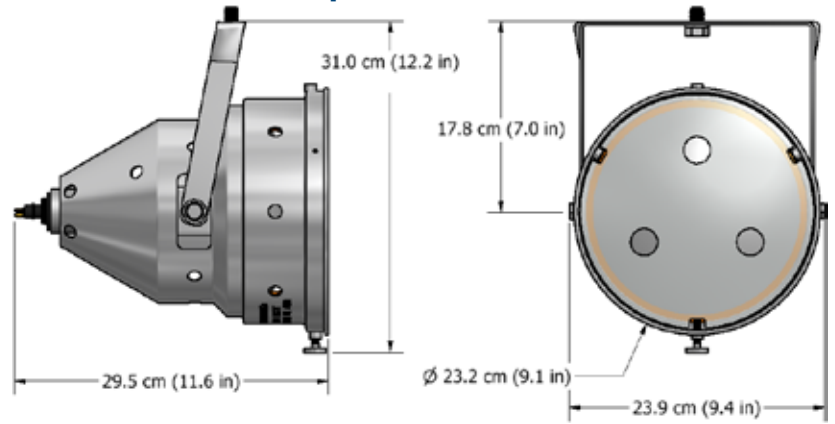
Item	Description
62A-004	Lexan Protector
25A-002	Silicone Backing Ring
32D-028	Spare lamp Narrow Spot
32D-029	Spare lamp Medium Beam
32D-030	Spare lamp Wide Flood



BIRNS' Quality Management System is ISO 9001:2008 Certified; NRC 10CFR50, App. B Compliant

AREVA Inc.
Chris Gallier
 Product Development Manager
 and Business Manager
 Chris.Gallier@areva.com
 Tel: 434.832.3510 – Cell: 434.841.6047
us.aveva.com

Specifications



PHYSICAL

Length: 29.5cm (11.6 in.)
 Width: 23.9cm (9.4 in.) with yoke
 Height: 31.0cm (12.2 in.) with yoke
 Weight in Air: 9.1kg (20.0 lbs.)

LIGHTING/PHOTOMETRIC

Lamp Type: Incandescent Tungsten-Halogen PAR-64 (Parabolic Aluminized Reflector)
 Time To Full Brightness: <1 s after application of power
 Operating Position: Universal (i.e. any position)
 Rated Average Lifetime:¹ 4,000 hours²
 Dimming Range: 0-100%
 Rated Light Output: 16,000 Initial Lumens
 Correlated Color Temp.: 3200K

ENVIRONMENTAL

Protection Level: IP 68
 Depth Rating: 30m (100 FSW) + 50% safety margin
 Seismic Qualification: Per IEEE-344, with 2% OBE and 3% SSE damping
 Expected Radiation Tolerance: 4 x 10⁵ Gy (4 x 10⁷ R)

ELECTRICAL

Input Voltage:³ 115 +/- 15 VAC or VDC
 Supply Frequency: 60 or 50Hz
 Cable Size: 16 AWG type SO, 3 conductor (standard)
 Cable Current Rating: 12 Amperes maximum
 Cable Voltage Rating: 600 Volts maximum
 Nominal Lamp Wattage: 1000 Watts

MATERIALS

All Housing Parts:	Stainless steel type 304	
Yoke Frame and Base:	Stainless steel type 304	
All Hardware, Ground Wire:	Stainless steel type 18-8	
Lamp Protector:	Polycarbonate (Lexan)	10 ⁵ Gy
Lamp Cushion/Backing Ring:	Silicone	10 ⁶ Gy
Connector:	Glass-reinforced epoxy (GRE)	10 ⁶ Gy
Connector Pins:	Copper alloy, gold-plated per MIL-G-45204	
Aquaprene Cable (standard):	CR (Neoprene) jacket, STR insulation	10 ⁵ Gy
Super Vu-tron® Cable (optional):	CSPE jacket, EPDM insulation	10 ⁶ Gy

¹The time after which 50% of test lamps were no longer operating.

²These ratings are determined by the lamp manufacturer based on laboratory tests under controlled conditions. Your own field results may vary.

³Substantive input voltage variation will affect lamp performance characteristics, including light output, lamp life, consumed power, color temperature, etc. Generally, higher voltage use will increase light output, power, and color temperature and will lessen lamp life, and lower voltages will have converse effects. However, the relationships are linear only near the rated input voltage value.



Scan to view our parts on the web:
www.us.aveva-np.com/cisweb

The data and information contained herein are provided solely for illustration and informational purposes and create no legal obligations by AREVA. None of the information or data is intended by AREVA to be a representation or a warranty of any kind, expressed or implied, and AREVA assumes no liability for the use of or reliance on any information or data disclosed in this document. ©2017 AREVA Inc. All rights reserved.