

PWR Head Examination and Repair

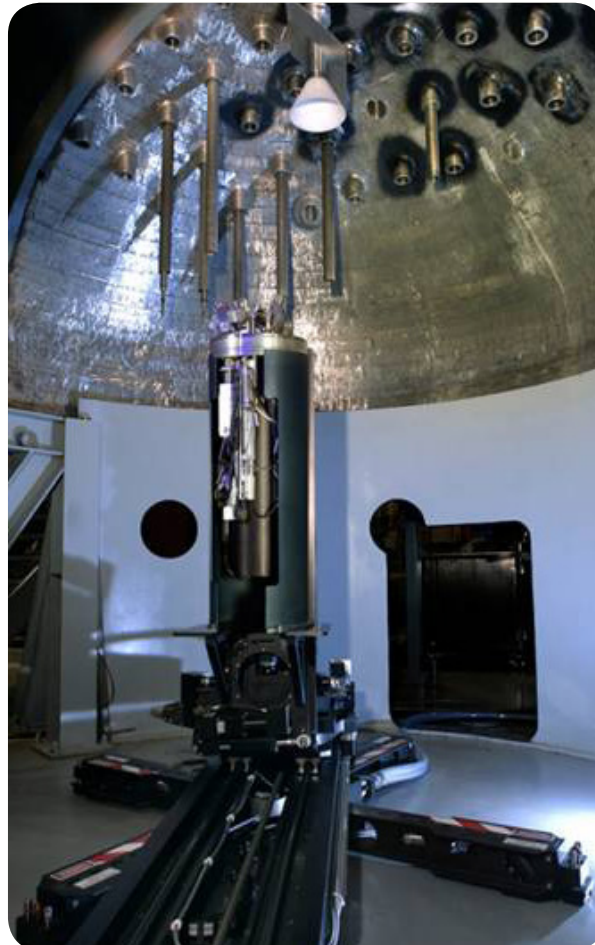
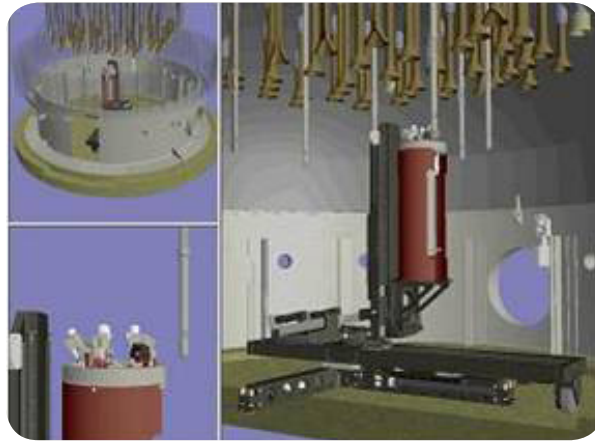
NUMAN, Blade Probe, Bottom-Up Tool and J-Weld Tool



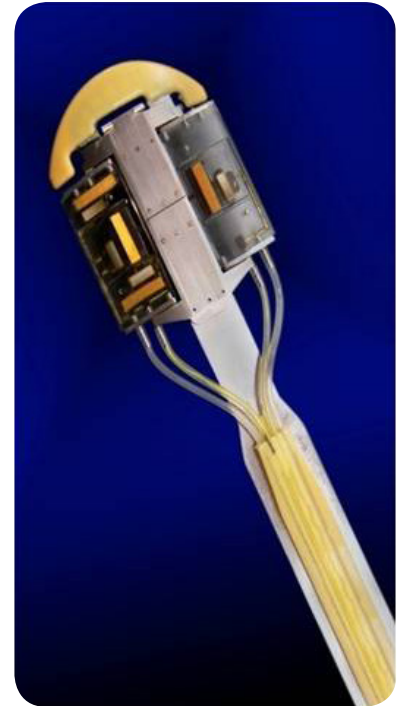
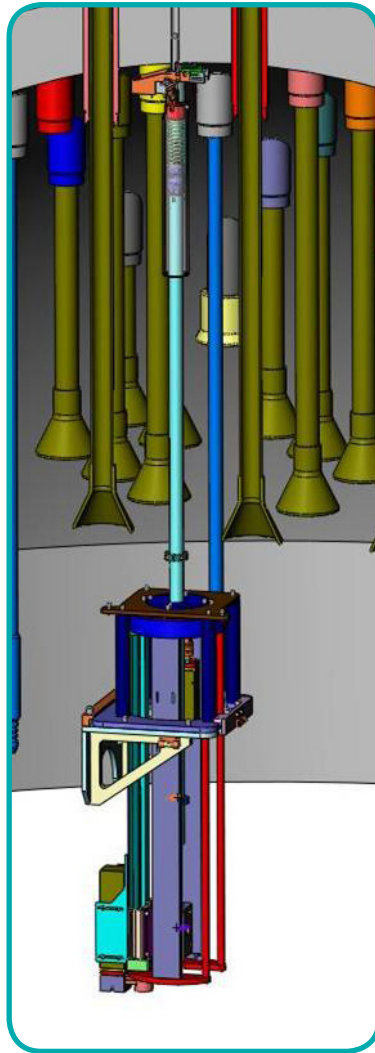
Utilities can manage their RPV head inspection with confidence thanks to AREVA's wide range of inspection and repair tools

Features and Benefits

- NUMAN under-head manipulator delivers various inspection and repair tools
 - Low-profile carriage reaches out of the head-stand opening for a low-dose tool change
 - Encoded positioning enables inspection traceability
 - Graphical User Interface with collision avoidance promotes safe, efficient operation
- Dual Blade UT Probe for nozzles with thermal sleeves provides maximum volumetric coverage with a single pass
 - PDI qualified
 - Maximum flexibility for extreme peripheral nozzles including for two-loop plants
- Bottom-Up Tool for nozzles and vent lines without thermal sleeves provides volumetric UT and/or ET
- J-Weld ET Tool delivers flexible mouse ET array to inspect for surface cracks
- Repair tools are also available if required and can be delivered using the same NUMAN platform. This eliminates dose and minimizes schedule impact for manipulator exchange



Bottom-Up Tool inspects vent lines and nozzles without thermal sleeves.



Dual Blade Probe provides both circumferentially and axially-oriented TOFD UT inspections. The design features maximum flexibility for the most complete coverage – even on extreme peripheral nozzles.



J-Weld tool delivers flexible ET array probe and can inspect with most thermal sleeves in place.

>> Field-hardened and tested equipment leads to predictable outages

For more information contact AREVA NDE-Solutions Regional Sales Manager at regional.manager@areva.com

U.S.: Eddie Ivins
Office: +1 434 832 3781 Cell: +1 434 841 3562

France: Olivier Moulin
Office: +33 14 978 4095 Cell: +33 62 879 6555

Germany: Florian Senne
Office: +49 9131 900 96766 Cell: +49 151 14568545

The data and information contained herein are provided solely for illustration and informational purposes and create no legal obligations by AREVA. None of the information or data is intended by AREVA to be a representation or a warranty of any kind, expressed or implied, and AREVA assumes no liability for the use of or reliance on any information or data disclosed in this document. © 2013 AREVA Inc. All rights reserved.