

Bridge and Trolley Tracking System (BATTs)

Improves fuel handling performance

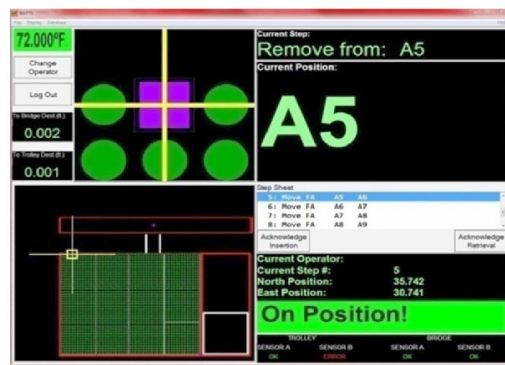
Features

- Advance positioning system provides a highly accurate location, computer customized for each spent fuel pool / reactor configuration
- Installs as a tool
- Precise positioning of trolley and bridge during refueling operations
- Mechanical architecture and mechanisms based on proven technologies with improved safety and reliability
- Laser positioning
- Aides movements by indicating obstructions
- HMI touch screen for the operator
- WiFi communications to supervisory PC, no cable management issues
- Utilizes ShuffleWorks™ files
- Customizable screen
- Displays pool / reactor plan view and zoomed view
- Able to be utilized with Collision Warning System, added safety feature
- Operator, spotter or SRO may sequence the electronic move sheet
- Quality control validation of all fuel moves and data saved on machine
- Off-bridge system monitoring, verify system operation during use

Benefits

- Added safety features
- Reduces dose for supervisor position
- Reduces human performance errors
- No cable management issues
- Verify system operation during use
- Increased accuracy – does not rely on mechanical position sensors
- Human machine interface for increased functionality
- Versatile design adapts to any pool, reactor core or bridge type

BWR Cab Operator Display

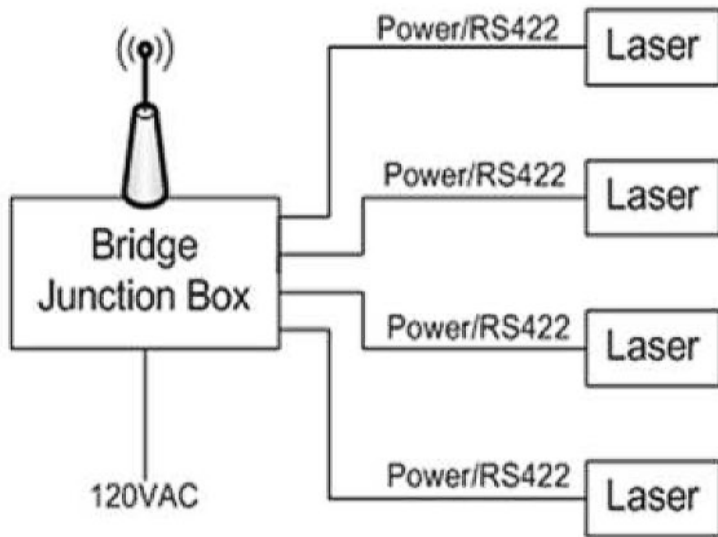


Your performance
is **our** everyday **commitment**

Additional Stearns Roger® Products and Services

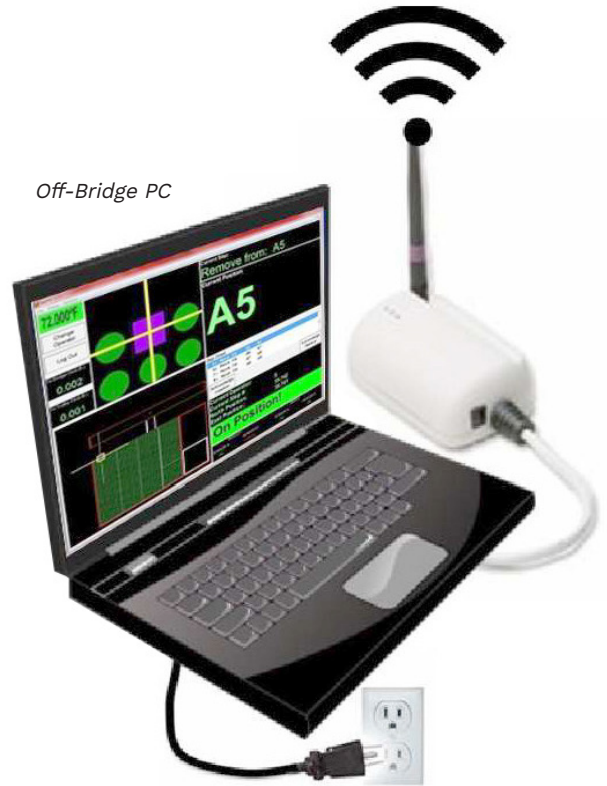
- Refurbishment and maintenance of existing fuel handling equipment
- Equipment upgrades and replacements — manipulator cranes, refueling platforms, spent fuel pool bridges, and fuel transfer systems
- Installation of upgrades and replacements
- Inspection and testing
- Engineering
- Outage field service support
- Spare parts supplier
- Automated controls
- Improved 17x17 gripper
- ZZ tape replacement
- Collision warning system

WiFi Operator Display



Sensor & Wireless Interface

Off-Bridge PC



Supervisory CPU

Contact:

outage@framatome.com

www.framatome.com

Stearns Roger is a registered trademark of Framatome. ShuffleWorks is a registered trademark of Westinghouse Electric Company LLC, its affiliates and/or its subsidiaries in the United States of America and may be registered in other countries throughout the world. All rights reserved. The data and information contained herein are provided solely for illustration and informational purposes and create no legal obligations by Framatome Inc. None of the information or data is intended by Framatome Inc. to be a representation or a warranty of any kind, expressed or implied, and Framatome Inc. assumes no liability for the use of or reliance on any information or data disclosed in this document. © 2019 Framatome Inc. All rights reserved. PS_US_534_ENG_3-19

framato**me**