

Test Facilities

for Power and Process Industry Applications

Turnkey delivery of test facilities for power and process industry applications specifically designed to meet customer needs

Challenge

Successfully developing a complex test facility requires experience and know-how in the fields of project management, planning, design, construction, instrumentation, data acquisition and commissioning.

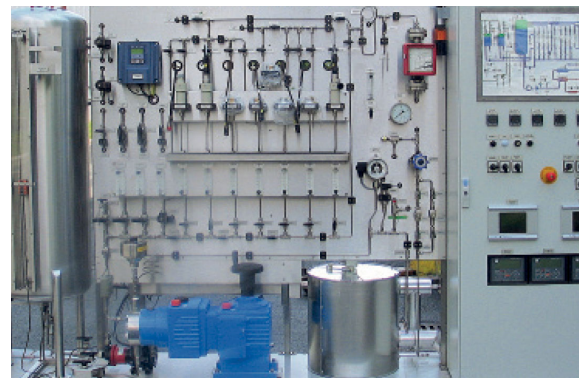
Solution

With our experience in developing and operating our own test facilities, we can design and construct your test facilities. We let you benefit from our:

- Experience in designing test facilities gained from modifying our own experimental rigs and from building several facilities for customers
- Well-equipped workshops (elaborate welding technologies, 400 m² of workshop area, crane loads up to 100 tons)
- Extensive knowledge in identifying and monitoring special vendors for non-standard components
- Experience in communicating with authorities and expert organizations for jobs requiring conformance to national and international standards
- Expertise designing high-pressure and -temperature facilities for conditions up to 300 bar and 1,000°C.

We deliver ready-to-use test facilities including:

- Measuring instruments
- Automated process control equipment
- Design and assembly of all electronic components
- Data acquisition systems
- Online visualization.



Rig for materials testing in corrosive environment

Customer benefits

- Measurement and control systems appropriately selected for high quality and cost efficiency
- Cost-effective solution by using standard parts
- In-house programming assuring optimal configuration of requested design
- Data acquisition system featuring high degree of interconnectivity for highest flexibility

Your performance
is **our** everyday **commitment**

Technical information

Test facilities delivered ready-to-use

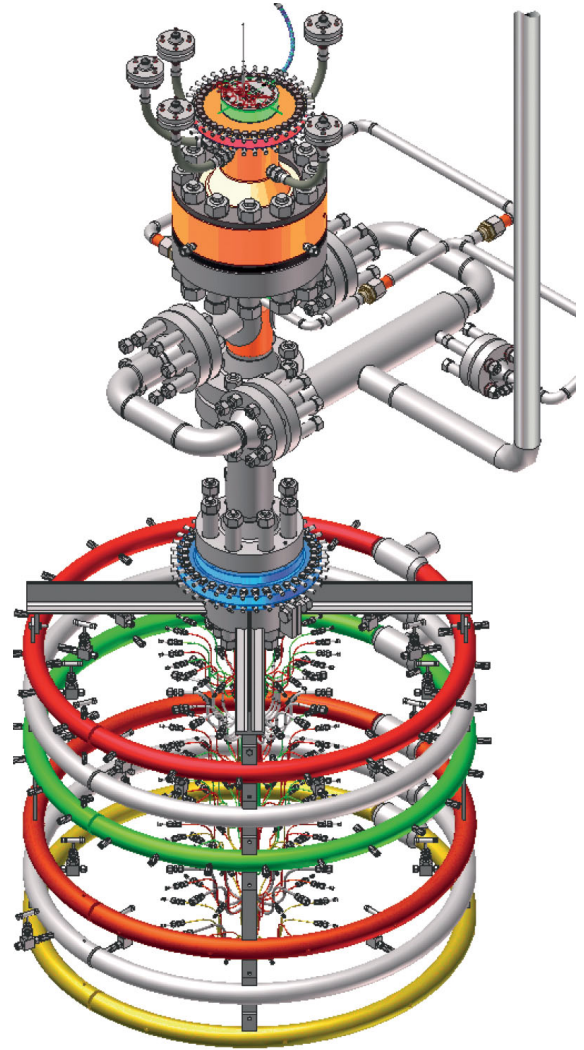
- Measuring instruments
- Automated process control equipment
- Design and assembly of all electronic components
- Data acquisition systems
- Online visualization

Powerful and cost-effective instrumentation and control implementation

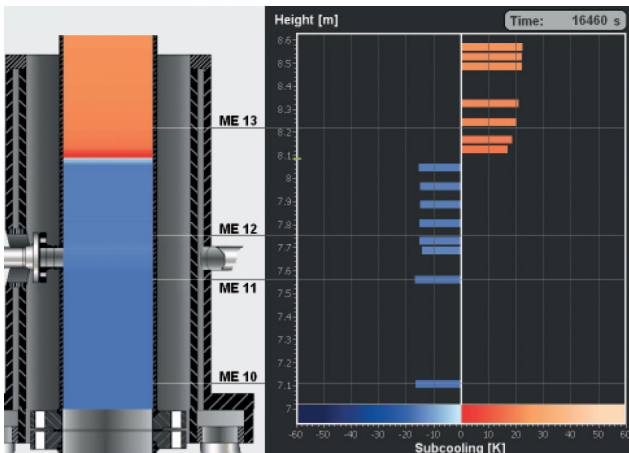
User interfaces reduced to the bare essentials or in individual adapting process visualizations to meet the user's needs

Data acquisition delivered ready-to-use

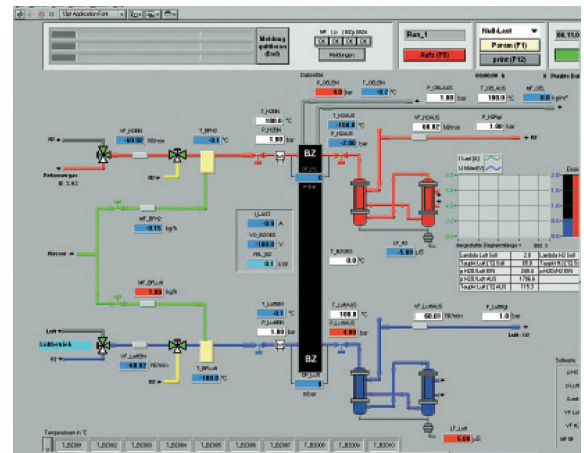
- Graphical user interface
- Automatic equipment protection
- Adjustable data acquisition and recording intervals
- Existing measurement devices simply triggered
- Customer-specific user interfaces



Construction example



Visualization of temperature profile



Fuel cell online process visualization

Contact: test-labs@framatom.com
www.framatome.com

It is prohibited to reproduce the present publication in its entirety or partially in whatever form without prior written consent. Legal action may be taken against any infringer and/or any person breaching the aforementioned prohibitions.

Subject to change without notice, errors excepted. Illustrations may differ from the original. The statements and information contained in this publication are for advertising purposes only and do not constitute an offer of contract. They shall neither be construed as a guarantee of quality or durability, nor as warranties of merchantability or fitness for a particular purpose. All statements, even those pertaining to future events, are based on information available to us at the date of publication. Only the terms of individual contracts shall be authoritative for type, scope and characteristics of our products and services.