

7G RISC-3 Proximity Switch

from the Nuclear Parts Center

Enhance safety, reliability and lower costs with the 7G RISC-3 proximity switch backed by Framatome's reasonable confidence assessment

Challenge

Traditional limit switches are used throughout the commercial nuclear installed base. These switches have demonstrated issues with reliability resulting in plants taking immediate steps to repair or replace their unreliable switches. These activities are costly to the station in terms of dollars, time and dose. Many of these switches serve safety-related functions, but are categorized as RISC-3, low safety-significant per 10CFR50.69.

Solution

The Nuclear Parts Center is the prime channel to the nuclear industry for the TopWorx™ portfolio of non-contact proximity GO™ switches, which enhance safety and lower costs by eliminating direct contact actuation and potential failures that could result. The new 7G RISC-3 switch is a low-cost industrial solution that is backed by Framatome's reasonable confidence assessment for RISC-3 applications, including mild and harsh nuclear environments.

The TopWorx GO switch eliminates direct contact actuation. Solutions are available for position and operation (non-inductive) functions where a traditional contact switch is currently used. Applications include valve position indication, ventilation damper position indication and door position indication.



Customer benefits

- RISC-3 low-cost solution that enhances safety and plant reliability
- Backed by Framatome's reasonable confidence assessment
- Meets fit, form and function retrofit requirements
- Simple to install and setup
- Maintenance free (no lever arm, no lubrication)

Your performance
is **our** everyday **commitment**

Immediate availability
of stock, 24/7 through
npc.framatome.com

TopWorx designed the first qualified non-contact proximity switch and has provided the switch to the nuclear industry for more than a decade with more than 10,000 switches installed worldwide.

7G RISC-3 switch features

- Magnetically actuated position switch consisting of a switch and target (target sold separately for 7G only)
- NEMA 4x, hermetically sealed switch enclosure offers maintenance free switch
- Standard and custom bracket designs for multiple applications

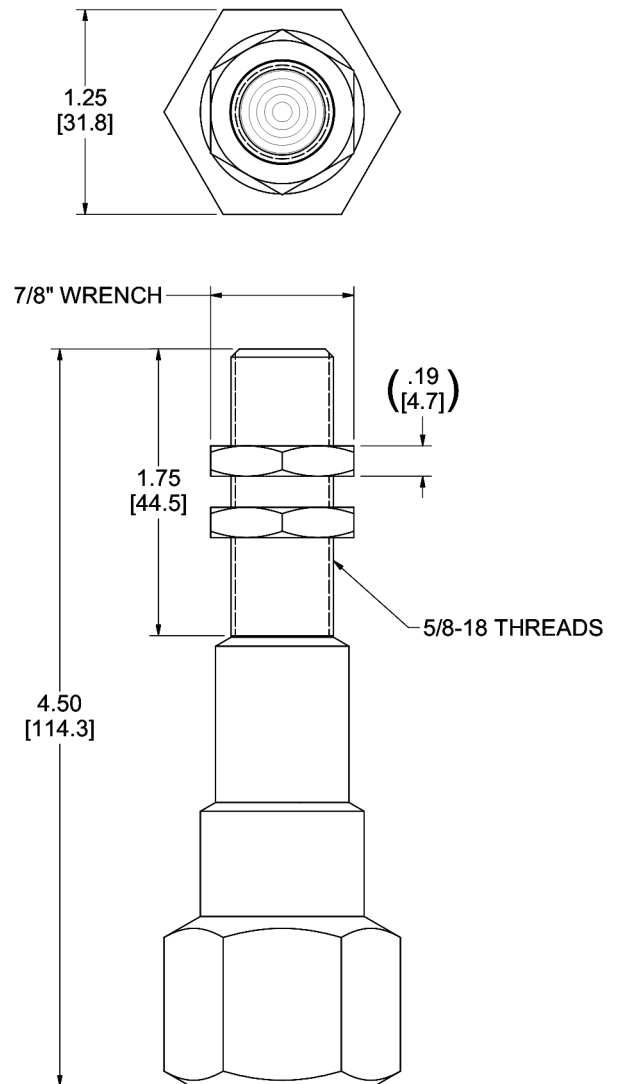
MODEL NUMBER

7G-2356T-H45069

SPECIFICATIONS

Model	7G Model
Contact Form	DPDT Form CC
Sensing Range	Approx. 0.1" end sensing*
Enclosure Material	316L Stainless Steel
Area Classification	ATEX/IECEX Zone 1, Exdb, IP66/67/68, NEMA 4/4x/6/6P
Wiring Option	HiTemp leads, 12ft

*Sensing range presented is with ferrous target. Optional target magnets can increase sensing distance and contact pressure.



Framatome Advantage

The Nuclear Parts Center (NPC) features a Customer Inquiry System where utilities can connect with Framatome 24/7/365 for access to its extensive spare parts inventory, guaranteed stocking programs, supply chain management and technical support at npc.framatome.com.

For reliable, efficient inventory management, Framatome can help you manage obsolescence — with confidence.



Scan to view our parts on the web: npc.framatome.com

Off-hours cell phone:
434.610.3880

Contact:

npc@framatome.com
www.framatome.com

TopWorx and GO Switch are trademarks of TopWorx. The data and information contained herein are provided solely for illustration and informational purposes and create no legal obligations by Framatome. None of the information or data is intended by Framatome to be a representation or a warranty of any kind, expressed or implied, and Framatome assumes no liability for the use of or reliance on any information or data disclosed in this document. Property of Framatome or its affiliates. © 2021 Framatome Inc. All rights reserved. PS_US_758_ENG_04-21

framatome****