

For PWR, BWR, VVER & CANDU Reactor Types

Framatome Jeumont supplies Reactor Coolant Pump spare parts

Challenge

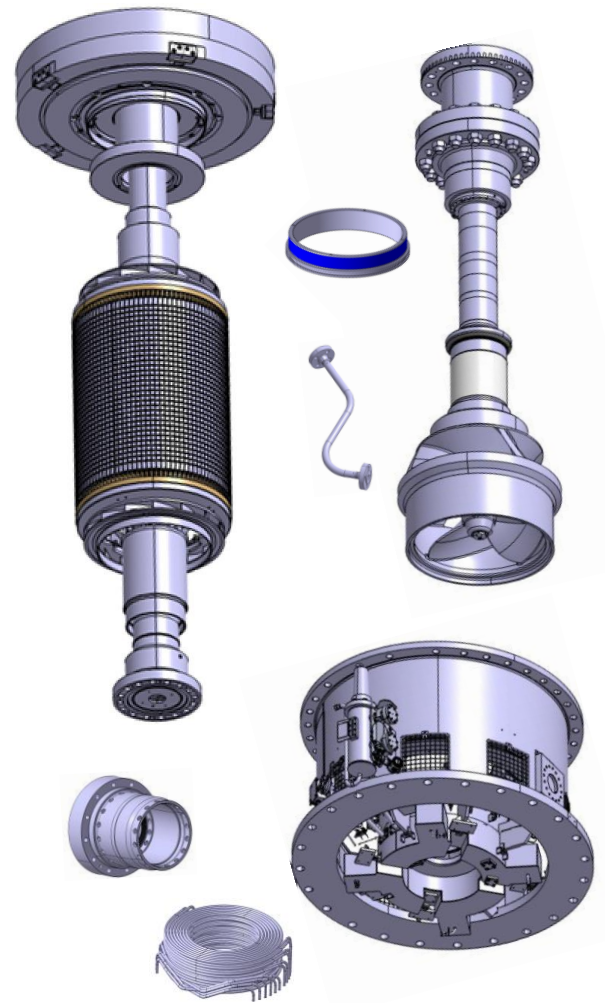
More and more operators are extending the lifetime of their NPPs. As components operate for extended period and under harsh conditions, vibrations and wear eventually require components to be refurbished or replaced. This is true especially for Reactor Coolant Pumps (RCPs). Refurbishing large components can be a viable, and cost-effective solution. However, finding qualified and reliable parts and often under short notice can be challenging.

Solution

Framatome's Jeumont plant manufactures primary loop coolant pumps with the highest level of safety and quality standards. Our design authority and the maintenance teams are located within the same facility, allowing maximum efficiency between engineering, manufacturing and commissioning.

Framatome offers a range of spare parts for primary pumps (93, 93A, 93D, 100, CPR1000, N4, EPR, M310, AJ124D), and expertise available for numerous pump applications. RCCM, ASME and GOST construction codes are applicable to spare parts.

Our Jeumont's facilities are able to provide commissioning on many reactor models (including newly commissioned EPRs), as well as the GMPP where Framatome is not the original equipment manufacturer.



© Framatome

Customer benefits

- Safety and Quality Conformity
- Internationally trusted supplier with a proven experience
- Flexible and large industrial capacity dedicated to plant mobile equipment
- A one stop-shop managing the whole process (design, engineering, procurement, manufacturing, test, transportation and commissioning)

**Your performance
is our everyday commitment**

Key figures

50 years of experience in manufacturing of mobile components for the nuclear industry

>300 Reactor Coolant Pumps
Manufactured tested and Delivered to
Customers by Jeumont Plant since 1970

Contact : spare-parts@framatome.com
www.framatome.com

The data and information contained herein are provided solely for illustration and informational purposes and create no legal obligations by Framatome. None of the information or data is intended by Framatome to be a representation or a warranty of any kind, expressed or implied, and Framatome assumes no liability for the use of or reliance on any information or data disclosed in this document. © 2022 Framatome. All rights reserved.